

**Valves food industry CLAMP Valves**

Industry  
Food industry  
Pharmaceutical industry

**CLAMP BUTTERFLY VALVES**

Delivery with silicons sleeves  
Delivery without handle  
(order separate)  
Connection: Clamp

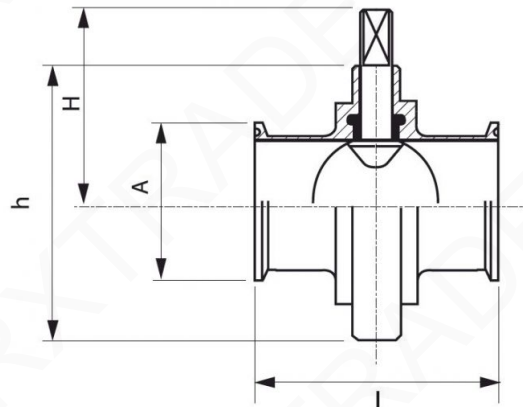
Body: Stainless steel 316L  
Seat sealing: Silicone  
Shore hardness A70  
Elongation 200%

Pressure: 10 bar  
Temperature: -60° C / +200° C  
Roughness value: Ra: 0,8 µm

Not suitable for steam.

Food quality  
Conforms to F.D.A. (US)

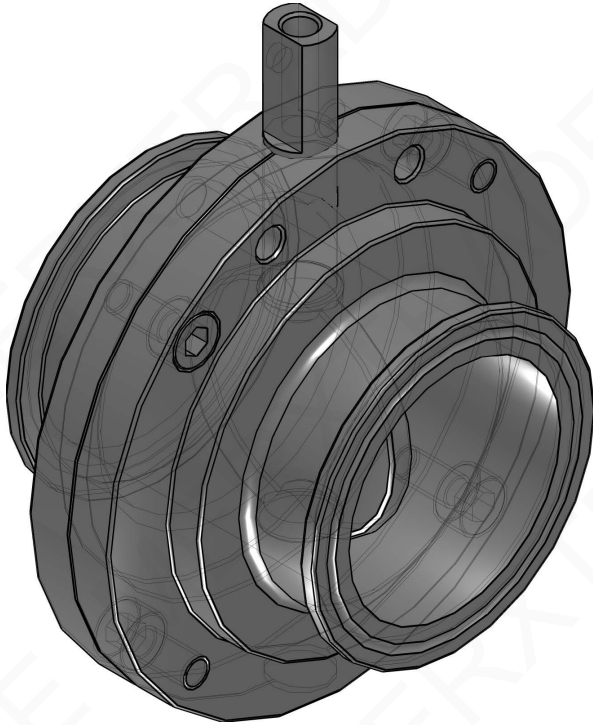
Mixed with high mechanical proprieties and low friction



**MXT-12402C0000**

Diam.	A	I	h	H	Weight (kg)	Material	Reference
25	50,5	64	87	90	1,34	316L	MXT-12402C0025
38	50,5	72	97	95	1,38	316L	MXT-12402C0038
51	64	72	110	100	1,8	316L	MXT-12402C0051
64	77,5	76	112	102	2,1	316L	MXT-12402C0064
76	91	76	127	110	2,54	316L	MXT-12402C0076
104	119	104	162	128	3,3	316L	MXT-12402C0104

25 to 76  
Double D shaft connection



85 to 104  
Square shaft connection

